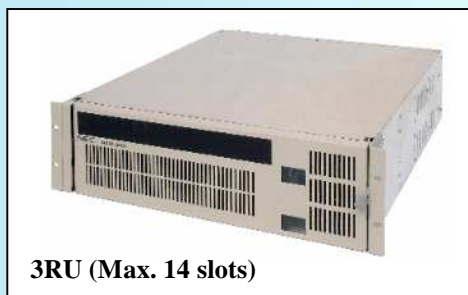


NOIF-3000 CWDM OPTICAL TRANSMISSION EQUIPMENT

The NOIF-3000 CWDM Optical Transmission Equipment is capable of transmitting uncompressed SD-SDI, HD-SDI and DVB-ASI signals conforming to the SMPTE 259M/292M standards. Utilizing the CWDM technology, it can delivery 4 channels (up to 16 ch.) of signals using a single fiber cable. In addition, with the use of DFB lasers in the 1.5 μ m spectrum, it can transmit up to 60 km of distance

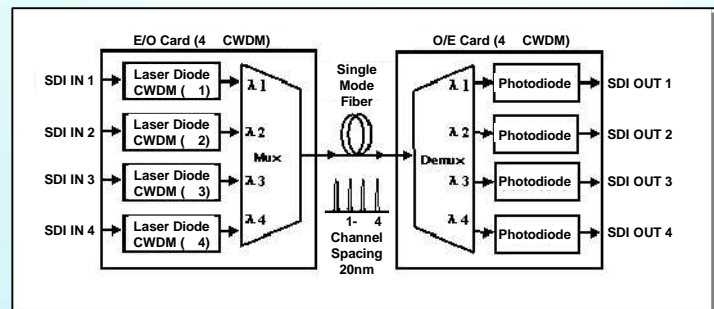
CWDM (Coarse Wavelength Division Multiplexing)



3RU (Max. 14 slots)



1RU (Max. 3 slots)



Features

Multi-formats (HD, D1, D2 and DVB-ASI Auto Detection)

Supports NTSC/PAL Serial Digital Interface signals conforming to the SMPTE 259M/292M standards. Each channel uses a separate wavelength for transmission, allowing different signal formats to be delivered simultaneously.

High Density Mounting

Compact design with CWDM Mux/Demux built into each card. The 3RU mounting frame supports up to 14 E/O or O/E cards (4-ch x 14 = 56-ch), enabling the maximum mounting density possible. In addition, the 1RU type mounting frame with single built-in power supply unit and supports up to 3 slots is also available.

Long Distance Transmission

The use of low-loss 1.5 μ m-band DFB laser enables long-distance transmission up to 60km. (In the case of 1.5 μ m-band, 4-wavelength CWDM and by the calculation of 0.3dB/km optical loss.)

Flexible Card Installation

Video A/D, D/A, AV-MPX/DMPX and other converter cards can be installed in the same 3RU or 1RU mounting frame. This allows supports for various interfaces in the same frame simply by altering the combination of cards.

Up to 16 Wavelengths

In addition to the standard 4-wavelength E/O, O/E cards, up to 16 wavelengths is also supported.

CWDM Optical Transmission Equipment

Specification

Item	Specification	Note
Mounting Frame	CWDM Optical Transmission Equipment Frame	3RU, 1RU
Maximum Number of Channels	56ch / 3RU (with 14 cards installed) 12ch / 1RU (with 3 cards installed)	Multiplexed with 4 wavelengths
Format Supported	HD-SDI, SD-SDI, DVB-ASI(270Mbps) (NTSC/PAL Format Auto Detection)	Each channel can delivery signals in different format
E/O Card Connector	SDI Input (75 BNC) 4 Optical Output (SC / PC) 1	
O/E Card Connector	Optical Input (SC / PC) 1 SDI Output (75 BNC) 4	
Wavelength	4 to 16 wavelengths in the 1.5/1.3 μ m spectrum Channel Spacing: 20nm	
CWDM Mux-Demux Insertion Loss	5.0dB (between Mux-Demux, when multiplexed with 4 wavelengths)	Loss due to optical coupler
Laser Diode Used	DFB Laser in the 1.5/1.3 μ m spectrum	
Optical Output Power	-1.0 to -2.0dBm/	At E/O CARD Optical Output
Optical Input Power	-1.0 to -20.0dBm/	At O/E CARD Optical Input
Transmission Loss	18.0dB	
Coverage Distance	0 to 60km	
Fiber Type	Single mode fiber	
Alarm Output	Power, Fan Alarm : Relay contact Card Alarm : Open collector	SNMP (Optional)

Composition

CWDM Optical Transmission Equipment (3RU) · Mounting Frame 1 · Power Supply Unit 2 (Dual PSU) · Alarm Card 1 · E/O, O/E Cards 1 to 14	CWDM Optical Transmission Equipment (1RU) · Mounting Frame 1 (Built-in Power Supply) · Alarm Card 1 · E/O, O/E Cards 1 to 3
--	--

Mounting Frame

	CWDM Optical Transmission Equipment(3RU)	CWDM Optical Transmission Equipment (1RU)
Card Slots	Max. 14 slots*1	Max. 3 slots*1
Dimension	132 (H) x 480 (W) x 500 (D) mm	44 (H) x 480 (W) x 470 (D) mm
Power Supply	Input Range 85 to 264VAC Frequency 47 to 63Hz Power Consumption 500VA (Max. Load)*3	Input Range 85 to 264VAC Frequency 47 to 63Hz Power Consumption 100VA (Max. Load)*3
Weight	9kg (Frame Only)	4kg (Frame Only)
Oper. Temp.	0 to 40	

- * 1 "Card Slots" excludes slots for the power supply unit and alarm card.
- * 2 For power redundancy installation, please mount the optional power supply unit.
- * 3 The maximum power consumption is listed and it depends on the type and number of cards installed.

Safety precautions

To install, make connections and operate this product, please carefully read and observe instructions, precautions and recommendations in our instruction manuals.

The colors in this brochure may differ from those of the actual unit. Designs and specifications of this product is subject to change without prior notice.

For further details or inquiries, please contact:
 Overseas Sales Department, Broadcast and Control Systems Sales Division, NEC Corporation
 7-1, Shiba 5-chome, Minato-Ku, Tokyo 108-8001, Japan
 TEL: +81 3 3798 5463
 FAX: +81 3 3798 8476
 Cat. No. BBV055 1st 0707

ISO 9000 Series



ISO 9001 JMI-0119
NEC Broadcast and Video

ISO 14001



JQA-E-90066
NEC