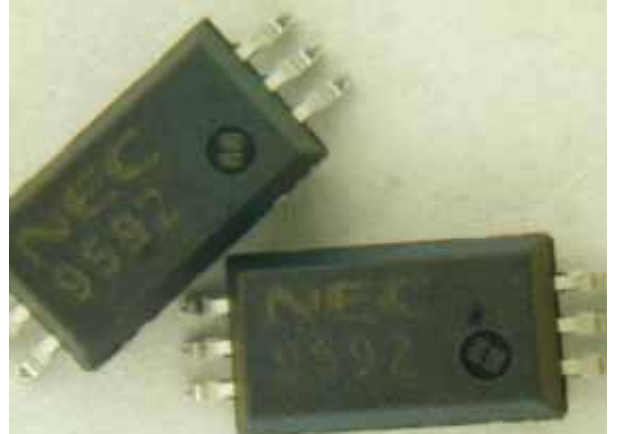


MRSS95-E

Built-in IC compact MR sensor

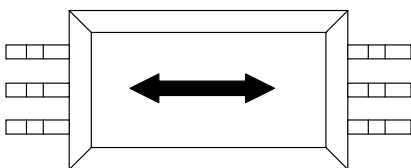
FEATURES

- Compact package size
- Operating in one way magnetic field
- Operating with independent pole (easily manufacture)
- Wide operating supply voltage
- RoHS compliant

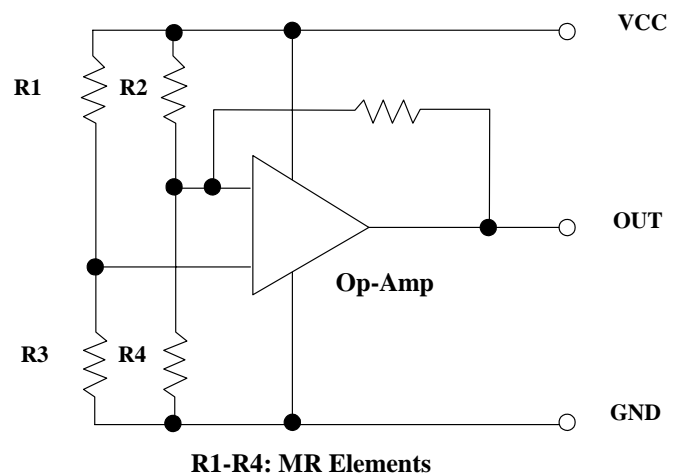


FUNDEMENTAL OPERATION

Direction of Magnetic Field



Circuit Block



PERFORMANCE

Performance Characteristics (Performance Characteristic Ta=25°C)

	Operating require Condition	Output Voltage
When power switch is ON	H = 0.0mT (Magnetic Flux Density) {0 A/m (Magnetic Field Strength)}	Lo-level
When magnetic field is applied	H 3.0mT(Magnetic Flux Density) {2.4kA/m (Magnetic Field Strength)}	Hi-level
When magnetic field is applied	H 0.5mT(Magnetic Flux Density) {0.4kA/m (Magnetic Field Strength)}	Lo-level

Recommended Operating Conditions

(Ta = 25±3°C unless otherwise specified)

Item	Symbol	Output level	Condition	Min	Std	Max	Unit
Supply Voltage	Vcc	-	-	3	12	30	V
Ambient Temperature	Ta	-	-	-20	25	80	°C
Operating Magnetic Field	Hon	Hi-level Output Hon	25±3°C	-	-	3.0 (2.4)	mT ^(*1)
	Hoff	Lo-level Output Hoff	25±3°C	0.5 (0.4)	-	-	(kA/m) ^(*2)

*1) 1 [mT](SI) = 10 [G] (CGS)

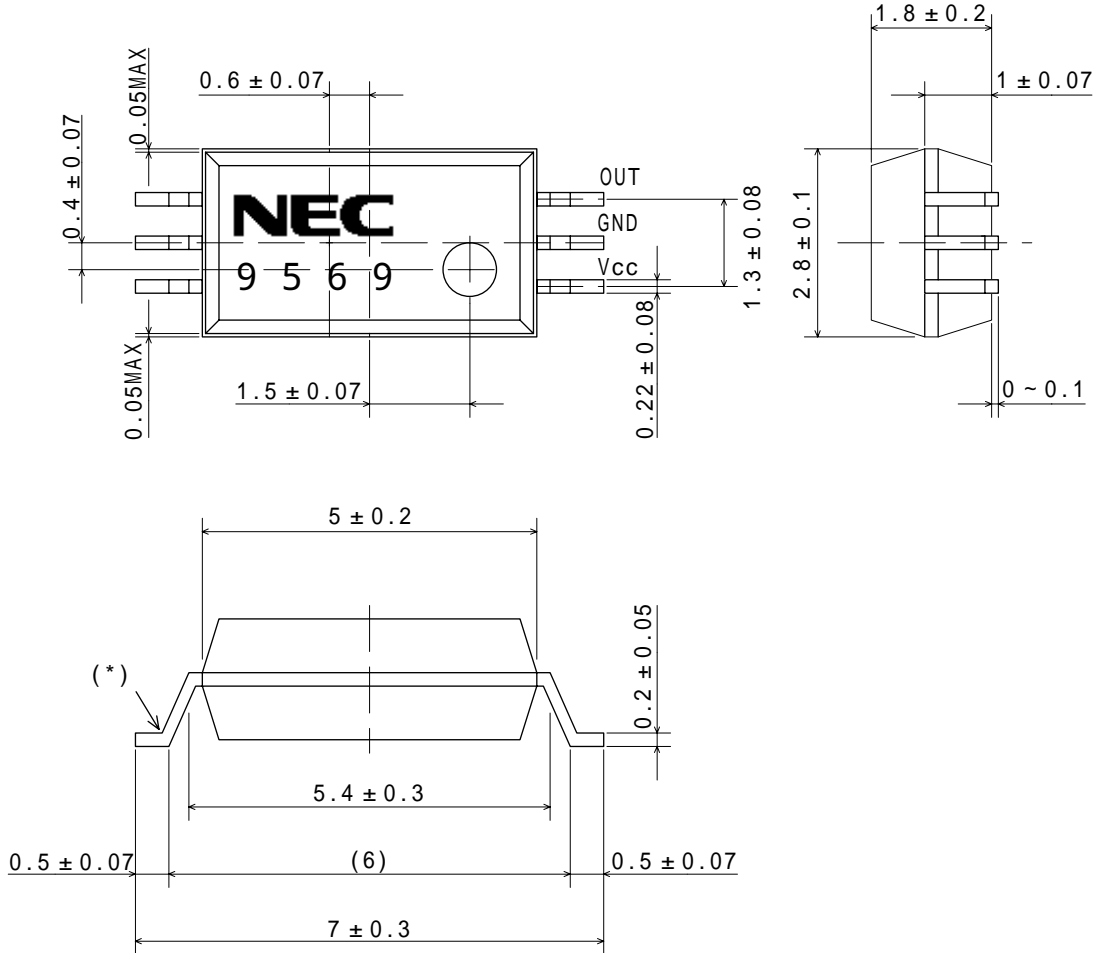
*2) () = [kA/m](SI)

ABSOLUTE MAXIMUM RATINGS

(Ta=25±3°C unless otherwise specified)

Item	Condition	Specifications	Unit
Supply Voltage	-	36	V
Operating Temperature		-20 ~ +80	
Storage Temperature	-	-40 ~ +125	°C

DIMENSIONS (unit:mm)



NEC Corporation
 Sales and Marketing Department, Fiber Optic Devices Division
 1131, Hinode, Abiko, Chiba 270-1198, Japan
 Tel: +81-4-7185-7410 Fax: +81-4-7185-7925
<http://www.nec.com/global/prod/fod/>

EWV-19-0234-03E, July, 2010
 Copyright © 2010 NEC Corporation

Renesas Electronics Europe GmbH

Sales and Marketing of Semiconductors across Europe
 Arcadiastrasse 10, D-40472 Dusseldorf, Germany
 Tel: +49-211-6503-0 FAX: +49-211-6503-1327

NEC Corporation of America

Fiber Optech Department (USA & CANADA)
 6535 N. State Highway 161, Irving, TX 75039, U.S.A.
 Tel: +1-214-262-3693 FAX: +1-214-262-3685