

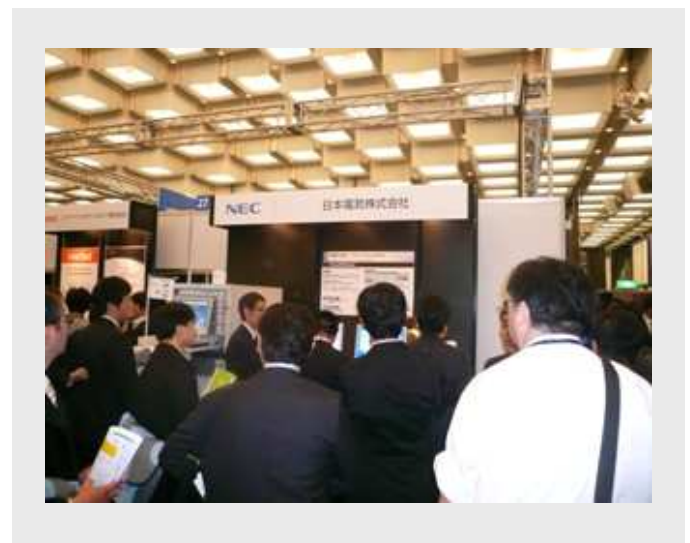
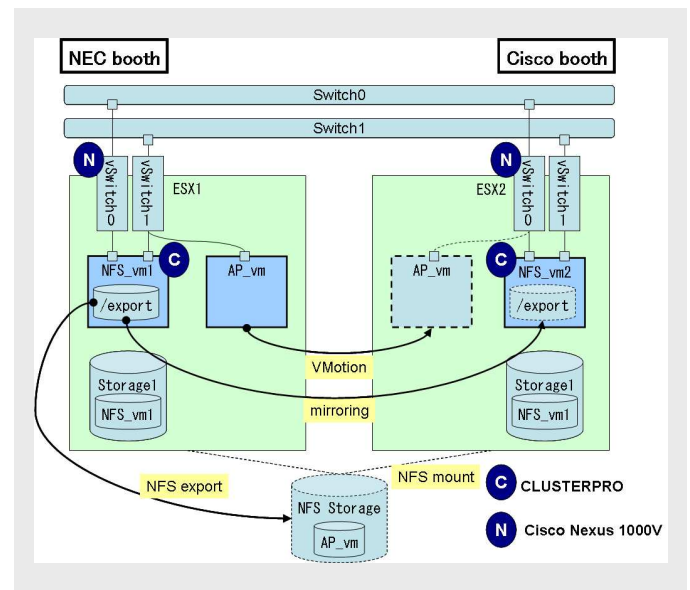
## Exhibition Report

# VMware Virtualization Forum 2009

*Joint Demonstration of Simulated Cloud network.*

*Virtual Shared disk and Long Distance VMotion on ExpressCluster.*

- NEC had a cloud system demonstration in cooperation with Cisco in “**VMware Virtualization Forum 2009**” on 20-21 October 2009.
- This demonstration linked the booths of exhibition as an individual cloud. And it realized a Virtual Cloud network to connect with **Cisco Nexus 1000V** mutually.
- By the demonstration, we installed an Express5800 blade server in the NEC booth and installed a **Cisco UCS blade server** in the Cisco booth.
- We made one virtual machine on the local storage of both servers and constituted NFS Server Cluster of Data Mirroring type in **ExpressCluster (CLUSTERPRO in Japan)**. In addition, it offered a **Virtual Shared Disk** to the VMware ESX host of both booths.
- The virtual machine which is made on the Virtual Shared Disk by ExpressCluster can be used for VMotion between both booths. (Though there is not physical shared disk connecting from both booths)
- It is difficult to set ESX hosts in the distant place so far because physical shared disk was necessary to use VMotion. However, we had a surprising voice from many visitors in the demonstration that was ahead of **Long Distance VMotion**.



## Constitution Products list

### ■ Server

- Express5800/B120a
- Cisco UCS B200 M1

### ■ Virtual Platform

- VMware ESX 4.0
- Cisco Nexus 100V

### ■ HA Cluster Software

- ExpressCluster X 2.1 for Linux

### ■ OS on Virtual Machine

- Red Hat Enterprise Linux 5.3 (x86\_64)
- Windows 7 Professional (X64)

Blade Server

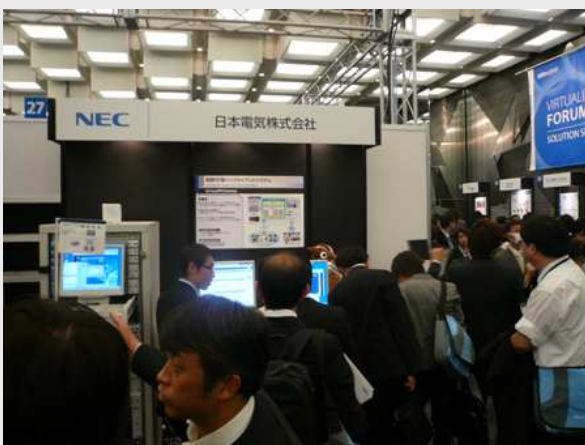
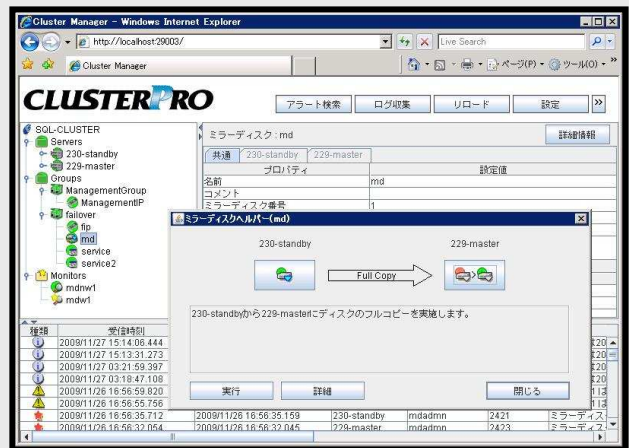
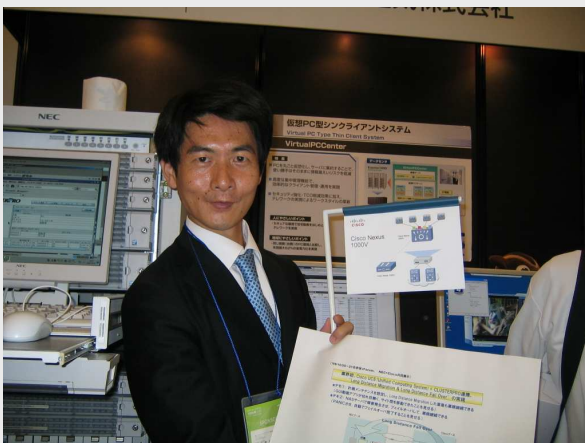
Blade Server

Virtual Machine Platform

Virtual Switch

NFS Cluster

VMotion Object Virtual Machine



### Contact :

NEC Corporation – IT Platform Global Business Development Division

E-mail : [info@expresscluster.jp.nec.com](mailto:info@expresscluster.jp.nec.com)

For more product information, visit our website : <http://www.nec.com/expresscluster>

- ExpressCluster is a registered trademark of NEC Corporation in the United States and other countries.  
 - Other product names and company names in this report are registered trademarks or trademarks of their representative holders.  
 - Information in this report is subject to change without notice.